



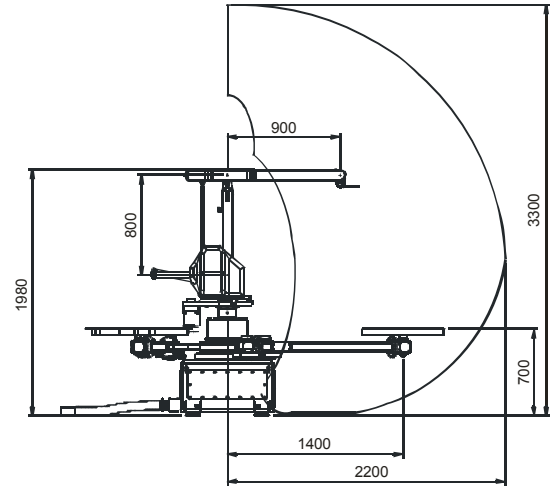
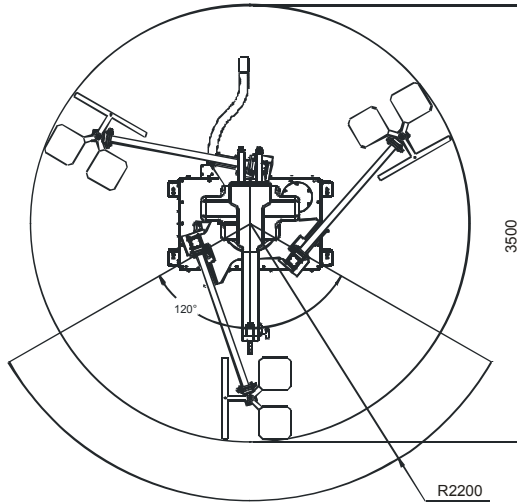
## Spray-Teck 6 ax Robot Carousel system



Spray-Teck in a new self learning robot, projected to spray liquid and powder paints, to use for wood, plastic, metallic and ceramic components. It can be employed with or without electrostatic systems. The machine has been designed to use it in painting working area with solvent and water laquer, by low and high pressure. For those reasons Spray-Teck has protection systems accordino EC Directive 94/9/EC concerning "Equipment and protective systems intended for use in potentially explosive atmospheres" and it can be used in Zone 2 refering Atex Directive.

R.E.S. srl  
ROBOTIC & ELECTRONIC SOLUTIONS  
S.S. 352 Udine – Grado Km. 3,6 - Loc. Lauzacco  
33050 Pavia di Udine (UD)  
Tel +39 0432 655299  
Fax +39 0432 655792  
[www.ressrl.com](http://www.ressrl.com) - [info@ressrl.com](mailto:info@ressrl.com)





Model	Spray-Teck 6 ax carousel system
N° axes	6 + 1
Wrist load capacity	3
Robot weight	Kg 650
Angle interference field	120°
Explosion protection	Zone 2
Repeatability	2 mm
Approximative dimension	2000 x diam. 3.700 mm
Motors	Brushless servo motors
Control cabinet	
Dimension	133 x 80 x 50 cm
Weight	Kg 160
Display	colored LCD 10.4"
Keyboard	Reduced (necessary keys)
Tie cable	5 meters
Power supply	380V (+/- 10%) 50Hz + earth
Power	5 KW
Explosion protection	Out of risk zone
Computer	CPU + HD + FD

