

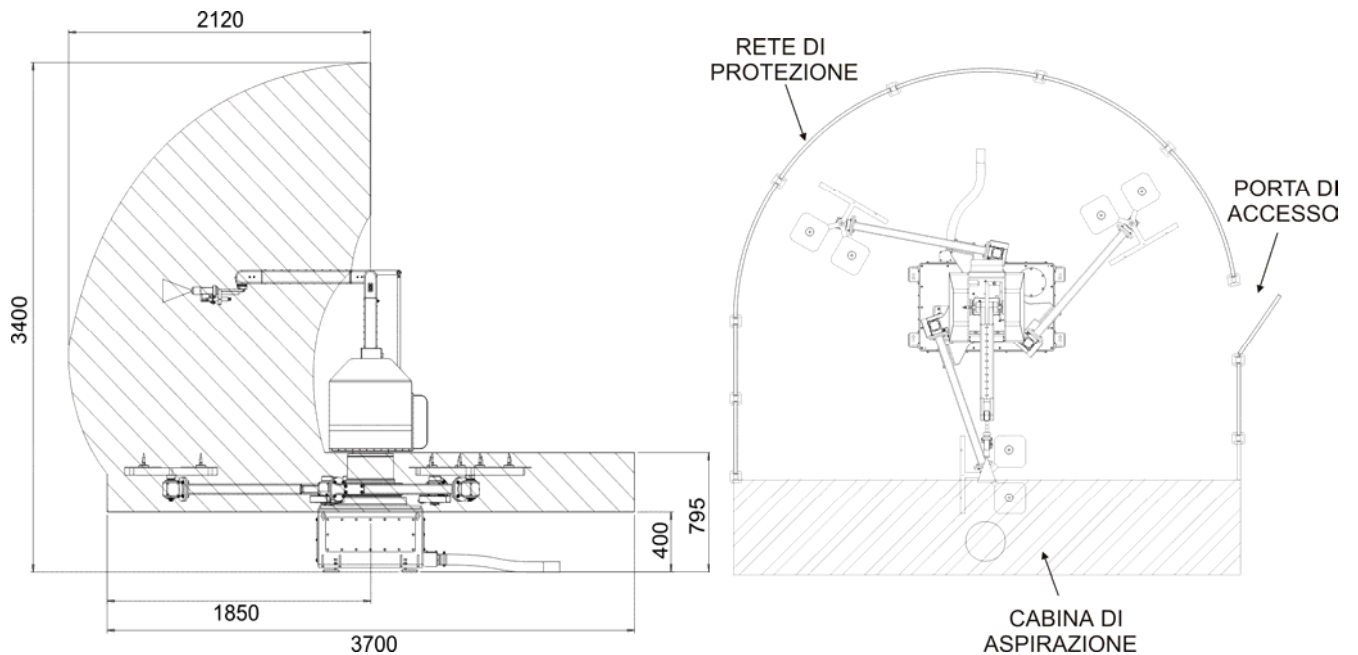
Colorex Robot **REES**



Colorex Carousel System Painting robot with five axes

Antideflagrating Ex-p painting robot according to the following rules: 89/336/EMC Electro-magnetic compatibility and 89/392/CEE Machineries Directive, CENELEC CEI EN 50016, EN 50014 last version 09/2003 referring EC Directive 94/9/EC "Electrical apparatus for potentially explosive atmospheres- Pressurized apparatus P"

R.E.S. srl
ROBOTIC & ELECTRONIC SOLUTIONS
S.S. 352 Udine – Grado Km. 3,6 - Loc. Lauzacco
33050 Pavia di Udine (UD)
Tel +39 0432 655299
Fax +39 0432 655792
www.ressl.com - info@ressrl.com



MODEL	Colorex Carousel System
Robot axes	5 + 1
Wrist load capacity	3,5
Robot weight	Kg 900
Angle interference field	120°
Explosion protection	Zone 2
Repeatability	2 mm
Approximative dimension	2000 x diam. 3.700 mm
Motors	Brushless servo motors
PANEL CONTROL	
Dimension	133 x 80 x 50 cm
Weight	Kg 160
Display	colored LCD 10.4"
Keyboard	reduced (necessary keys)
Tie cable	5 meters
Power supply	380V (+/- 10%) 50Hz + earth
Power	5 KW
Explosion protection	Out of risk zone
Computer	CPU + HD + FD

R.E.S. srl
 ROBOTIC & ELECTRONIC SOLUTIONS
 S.S. 352 Udine – Grado Km. 3,6 - Loc. Lauzacco
 33050 Pavia di Udine (UD)
 Tel +39 0432 655299
 Fax +39 0432 655792
www.ressl.com - info@ressrl.com